



Approved as to Form and Legality

Date Adopted

Committee

August 15, 2018

Administrative

RESOLUTION DECLARING AN EMERGENCY TO PERMIT IMMINENT ACQUISITION OF GOODS AND/OR SERVICES TO MAKE REPAIRS TO SLUICE GATES ON SINNICKSON'S LANDING ROAD, ELSINBORO, NEW JERSEY

WHEREAS, the Local Public Contracts Law 40A:11-6 permits a contracting unit to declare an emergency to permit the imminent acquisition of goods or performance of services; and

WHEREAS, on July 19, 2018, the County Administrator determined that an emergency existed when sluice gate #2 failed on Sinnickson's Landing Road, Elsinboro, NJ; and

WHEREAS, it is necessary to secure the services of a licensed contractor to conduct an exploratory underwater evaluation of all four(4) sluice gates, locate the gate for sluice gate #2, install a plug in sluice gate #2 and rent a pump for water control in order to safeguard public safety, health without substantial delays;

NOW THEREFORE, BE IT RESOLVED by the Board of Chosen Freeholders of the County of Salem that W. J. Castle Associates and Xylem Dewatering Solutions, Inc. d/b/a Godwin Pumps of America are herein contracted to provide immediate site evaluation and other associated services with respect to the underwater evaluation and immediate emergency repairs on sluice gates #1 and #2 on Sinnickson's Landing Road, Elsinboro, NJ.

BE IT FURTHER RESOLVED that the Salem County Purchasing Agent will prepare and arrange for any necessary procurement documentation in order to comply with the Local Public Contracts Law and coordinate with the Salem County Engineer to prepare a bid document for repairs on the sluice gates #3 and #4 on Sinnickson's Landing Road, Elsinboro, NJ.

MELISSA L. DECASTRO, Freeholder Director
Board of Chosen Freeholders

I hereby certify the foregoing to be a true resolution adopted by the Board of Chosen Freeholders of the County of Salem on August 15, 2018.

BRENDA P. BANKS
Clerk of the Board

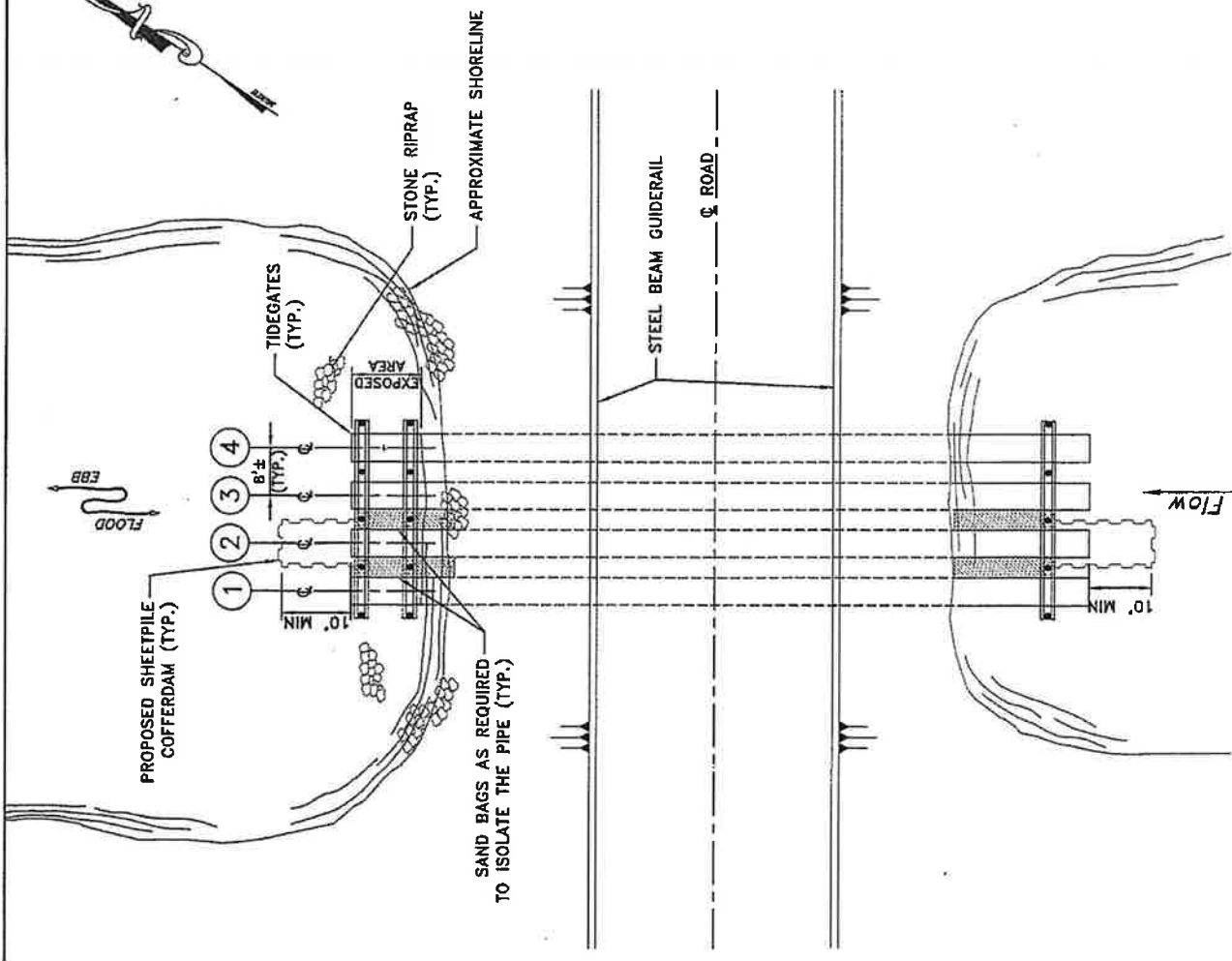
RECORD OF VOTE

| FREEHOLDER | AYE | NAY | ABSTAIN | ABSENT | RESOLUTION MOVED | RESOLUTION SECONDED |
|-------------|-----|-----|---------|--------|------------------|---------------------|
| L. Ware | ✓ | | | | | ✓ |
| C. Hassler | ✓ | | | | ✓ | |
| B. Laury | ✓ | | | | | |
| S. Griscom | ✓ | | | | | |
| M. DeCastro | ✓ | | | | | |

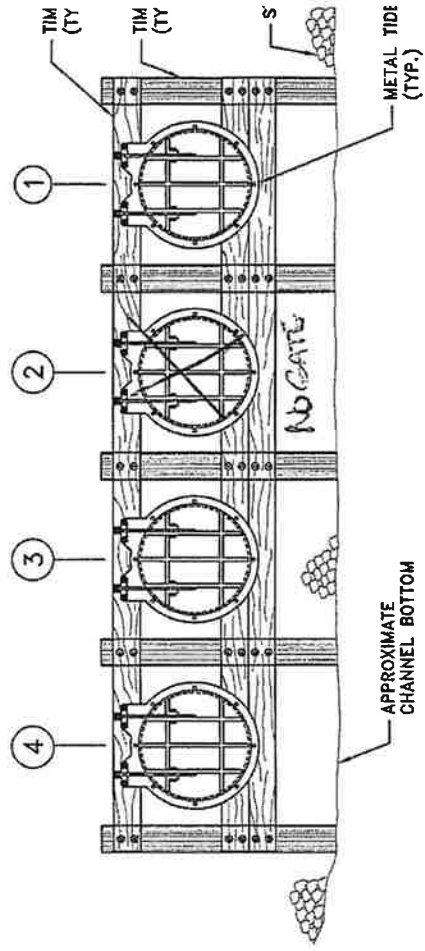
✓ Indicates Vote

Department Initials

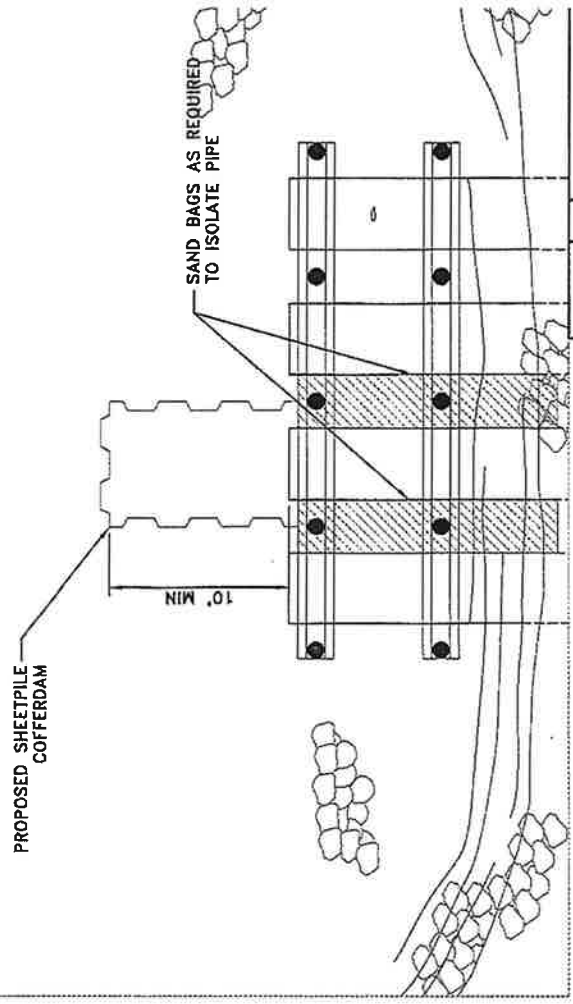
DTF




PLAN VIEW
SCALE: N.T.S.

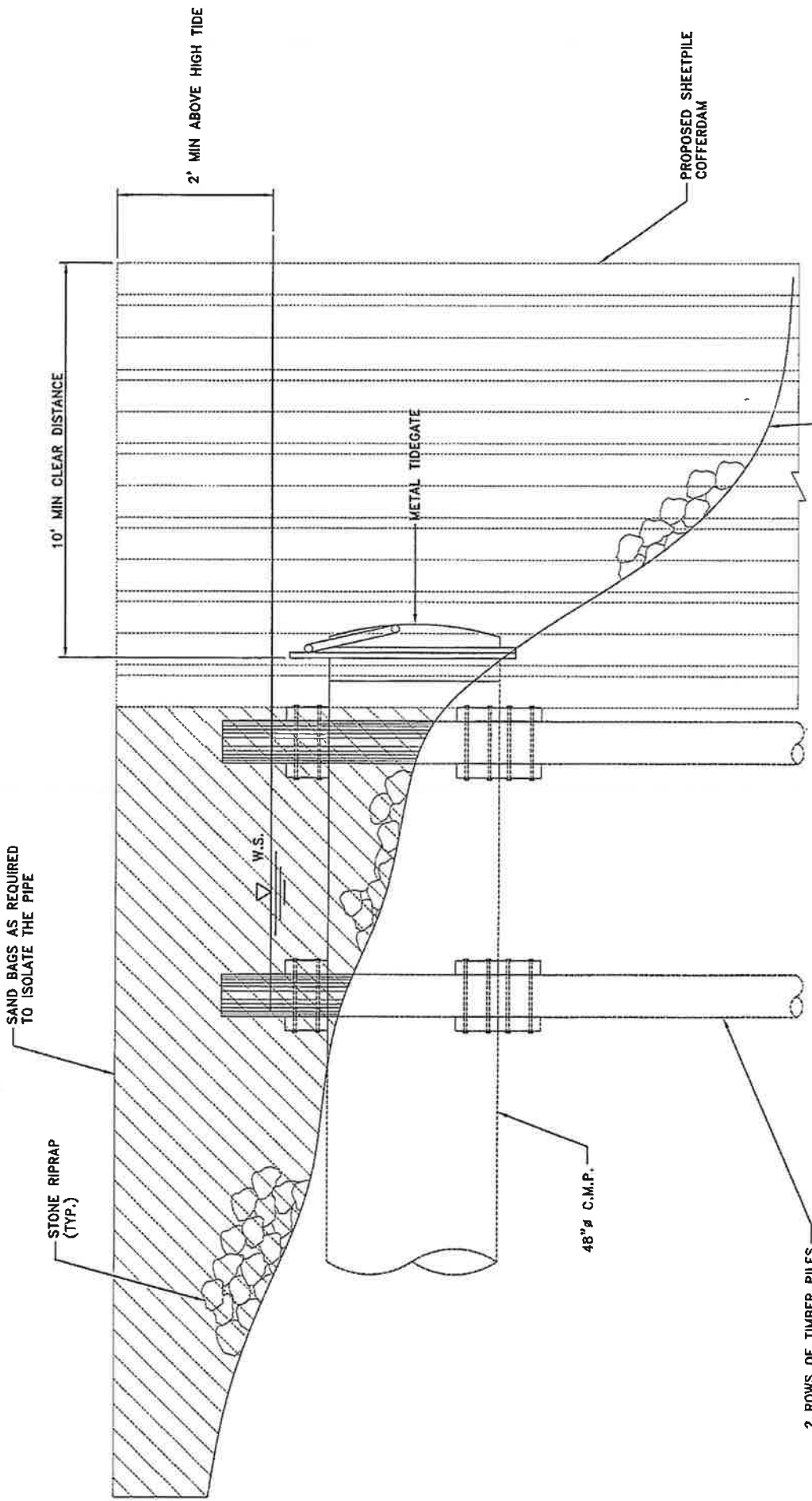


TIDEGATES ELEVATION VIEW
SCALE: N.T.S.



REPAIR PLAN VIEW
SCALE: N.T.S.

| DATE | NO. | REVISIONS |
|---|----------|------------|
| PLAN & ELEVATION | | |
| SINNICKSON LANDIN | | |
| ROAD TIDEGATES PROPOSED | | |
| SALEM COUNTY, NEW JE | | |
|  W.J. Castle PE <small>1545 1345 ASSOCIATES HAIRER</small> | | |
| SCALE | DRAWN BY | CHECKED BY |
| AS SHOWN | CAD | W.J.C. |
| | | JOB NO. |
| | | 10-2404-1B |



**SIDE ELEVATION OF PIPE
LOOKING WEST**
SCALE: N.T.S.

| DATE | NO. | REVISIONS |
|------|-----|-------------------------|
| | | REPAIR DETAILS |
| | | SINNICKSON LANDINI |
| | | ROAD TIDEGATES PROPOSED |
| | | SALEM COUNTY, NEW JE |

| | | | | |
|---|----------|----------|------------|------------|
| W.J. Castle PE 1345 HAINES ASSOCIATES | SCALE | DRAWN BY | CHECKED BY | JOB NO. |
| | AS SHOWN | CAD | W.J.C. | 10-2404-18 |